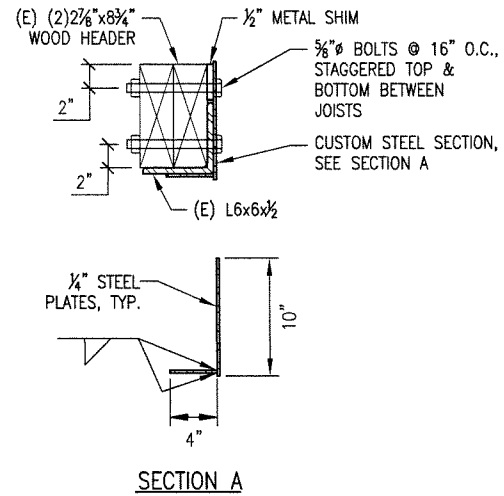
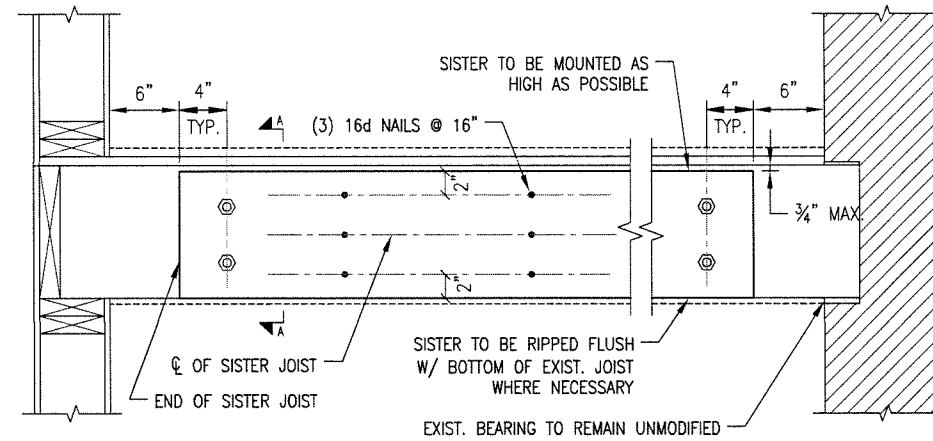


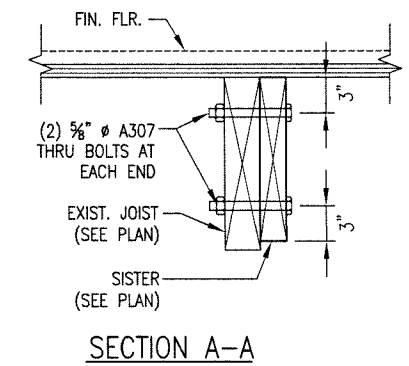
1 TYPICAL POST FOOTING DETAIL
S2.00 SCALE: 1 1/2" = 1'-0" (A)



2 HEADER REINFORCEMENT
S2.00 SCALE: 1 1/2" = 1'-0" (A)

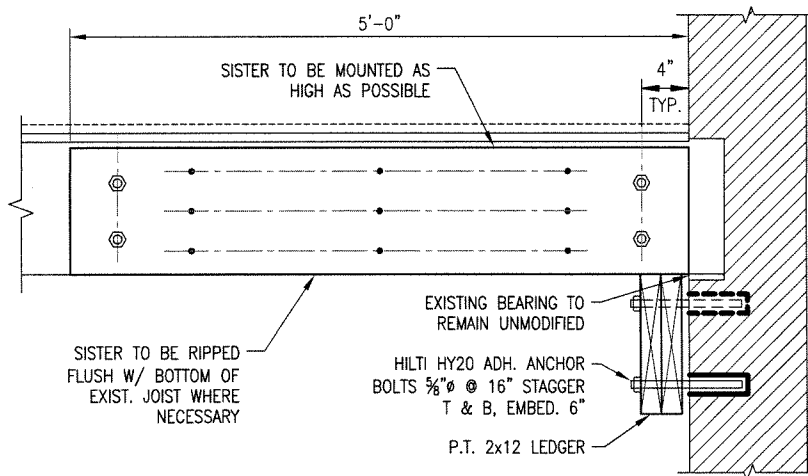


3 TYPICAL NAILED AND BOLTED WOOD SISTER
S2.00 SCALE: 1 1/2" = 1'-0" (A)

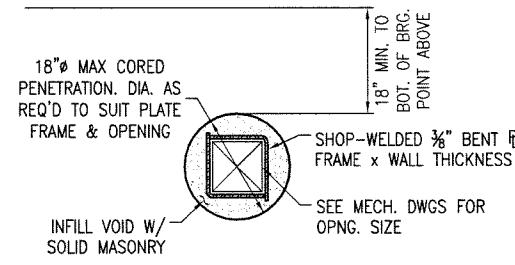


SECTION A-A

NOTE: REPLACE AND/OR PROVIDE BLOCKING AND BRIDGING AS NECESSARY. SEE PROJECT GENERAL NOTES.

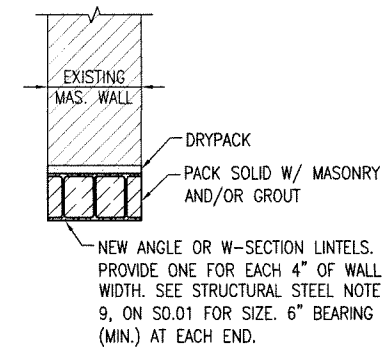


4 TYPICAL JOIST BEARING REINFORCEMENT w/ A WOOD SISTER
S2.00 SCALE: 1 1/2" = 1'-0" (A)



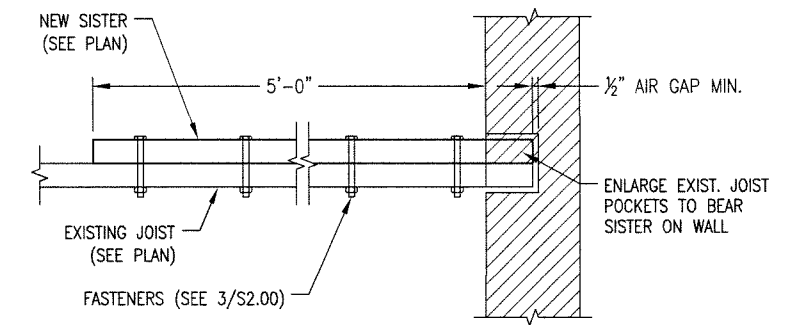
NOTE: SPACE ADJACENT CORED WALL PENETRATIONS @ 3'-0" MIN.

5 TYP. CORED WALL PENETRATION
S2.00 SCALE: N.T.S.

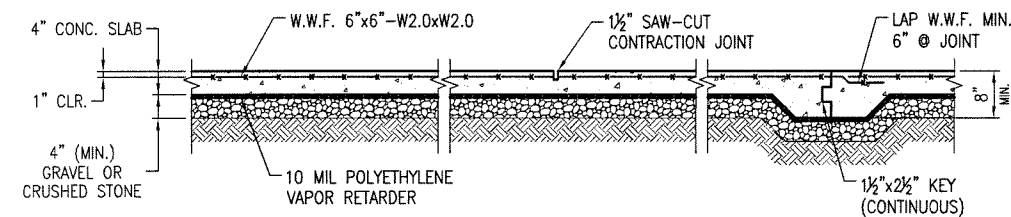


NOTE: NEW LINTELS IN EXTERIOR MASONRY WALLS SHALL BE HOT-DIPPED GALVANIZED.

6 TYP. ANGLE LINTEL IN MASONRY WALL
S2.00 SCALE: N.T.S.



7 JOIST BEARING REINFORCEMENT
S2.00 SCALE: 1 1/2" = 1'-0" (A)

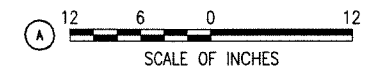


TYPICAL SLAB CONTRACTION JOINT CONSTRUCTION JOINT

NOTES:

1. PROVIDE CONTROL JOINTS @ 10'-0" MAXIMUM SPACING. PANEL AREAS SHALL NOT EXCEED 100 SQUARE FEET BETWEEN CONTROL JOINTS.
2. GRAVEL OR CRUSHED STONE SHALL BE PLACED ON UNDISTURBED SOIL OR FILL COMPACTED TO 95% OF MAXIMUM DENSITY AT OPTIMUM MOISTURE CONTENT.
3. SEE CONC. NOTES FOR REQUIRED STRENGTH, AIR ENTRAINMENT, AND W/C RATIO.

8 TYP. 4" SLAB ON GRADE DETAIL
S2.00 SCALE: N.T.S.



A/E FIRM
PRIME/ARCH:
BEYER BLINDER BELLE
ARCHITECTS AND PLANNERS, LLP
WASHINGTON, DC
STRUCT. ENG.:
ROBERT SILMAN
ASSOCIATES
WASHINGTON, DC

Mark	Sheet	REVISION	Date	Initial

S2.00

SUB SHEET NUMBER

TYPICAL STRUCTURAL DETAILS
TITLE OF DRAWING

UNITED STATES
DEPARTMENT OF THE INTERIOR
NATIONAL PARK SERVICE - NATIONAL CAPITAL REGION
BRANCH OF DESIGN AND CONSTRUCTION
REHABILITATE DETERIORATED BATTLEGROUND NATIONAL
CEMETERY SUPERINTENDENT'S LODGE AND ROSTRUM
TITLE OF PROJECT
6625 GEORGIA AVE NW, WASHINGTON, DC
LOCATION WITHIN PARK
ROCK CREEK PARK
NAME OF PARK

JK
DESIGNED
JK
DRAWN
NF
CHECKED
APRIL 24, 2009
SHEET
35 OF 59